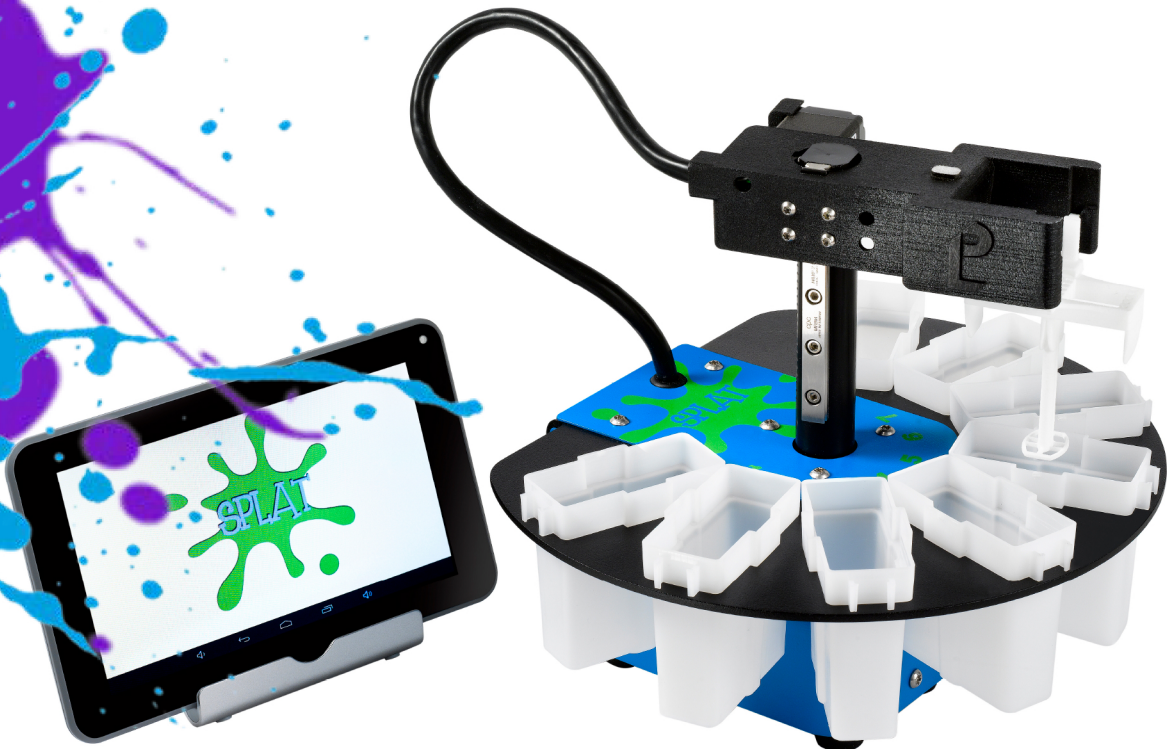




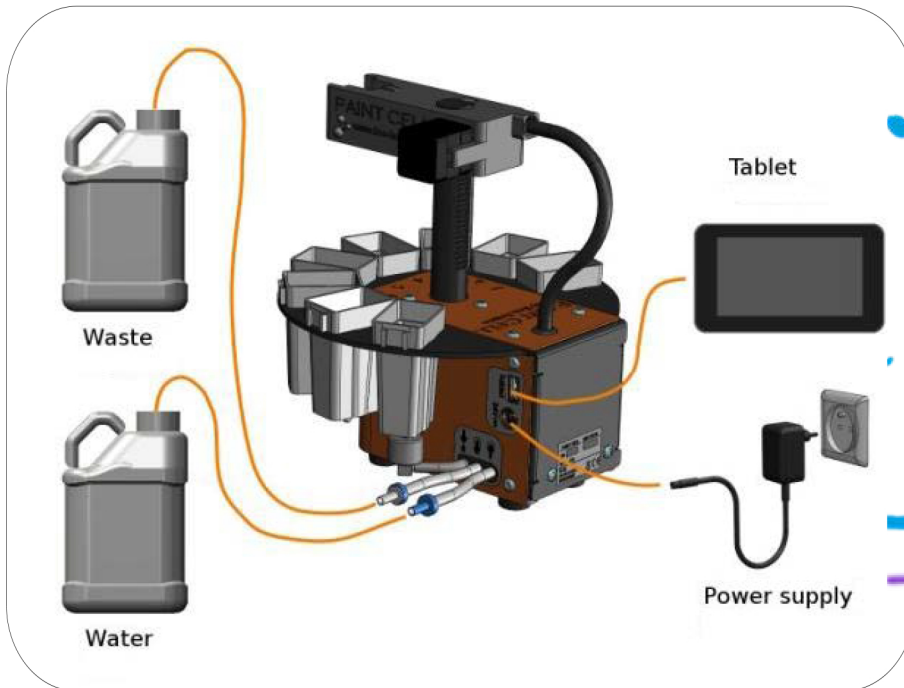
**‘SPLAT’<sup>®</sup>**

**Automated Staining**



- **Automated staining system - consistency and quality every time.**
- **150 programmable staining methods.**
- **Fully customisable; number of stains, soaking time, forms of agitation, rinsing.**
- **Compact and lightweight.**
- **Easy to use.**
- **Capacity 10 slides.**

# 'SPLAT®' SET-UP



1. Connect the power supply.
2. Connect the tablet to 'SPLAT®' using the USB cable provided.
3. Place all the baths on the machine, filled to the correct level (fig1) with your chosen Pro-Lab Diagnostics stains.
4. Connect tubing between the 'SPLAT®' and the waste and water containers.
5. Select program.
6. Position the slide mount (fig 2).
7. Start the staining procedure and colour!

Figure 1.

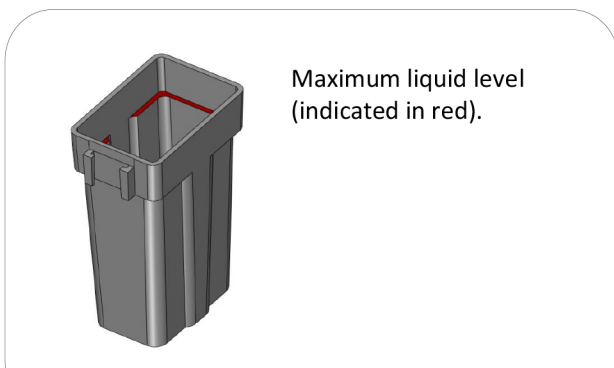


Figure 2.



# 'SPLAT'

## Tool Box

### Contents:



#### Pro-Slides™

SD351	Acid Fast Stain Ctrl	50 Slides
SD361	Gram Stain Ctrl	50 Slides



#### Immersion Oil

**PL.396 Immersion Oil 50ml**  
(reduced hazards - DBP free)



#### Pro-Stains® Kits

PL.8055/25 Grams (Safranin)	4 x 250ml
PL.8056/25 Grams (Neutral Red)	4 x 250ml
PL.8057/25 Grams (Dilute Carbol Fuchsin)	4 x 250ml
PL.8060/25 TB (ZN/Methylene Blue)	4 x 250ml
PL.8061/25 TB (ZN/Malachite Green)	4 x 250ml



#### ProStain™ Station

PL.R17/001G	250ml 1 x 4	Green
PL.R17/001B	250ml 1 x 4	Blue

